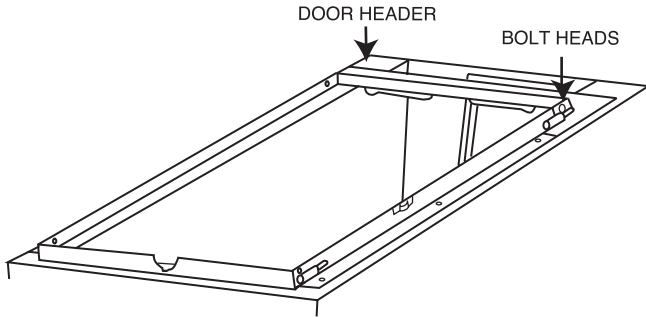


RD INSTALLATION

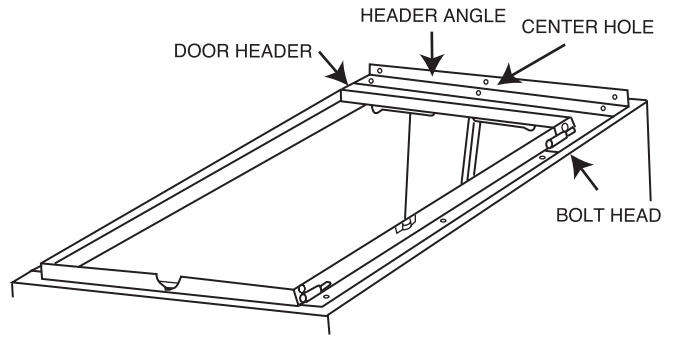
STEP 1-ASSEMBLE FRAME



Use 1/4" bolts and nuts from hardware package. Bolt heads must face the **outside** of the door frame.

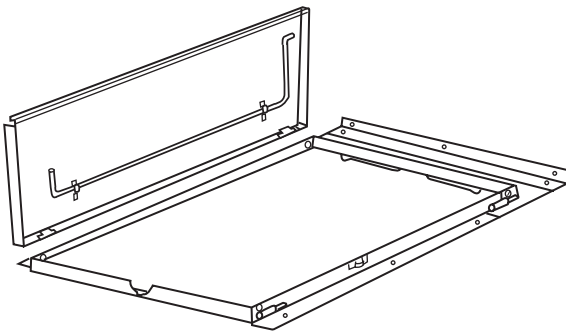
NOTE: The sill bends towards the house

STEP 2- ATTACH DOOR TO FOUNDATION



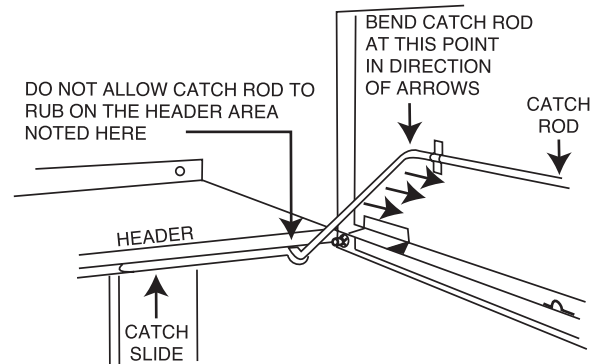
Attach header angle to door header, bolting at **center hole only**. Fasten header angle to house using all 3 holes. Drill and attach 2 remaining holes in header angle to foundation using plastic rawlplugs and screws provided.

STEP 3-SLIDE ON DOOR PANELS



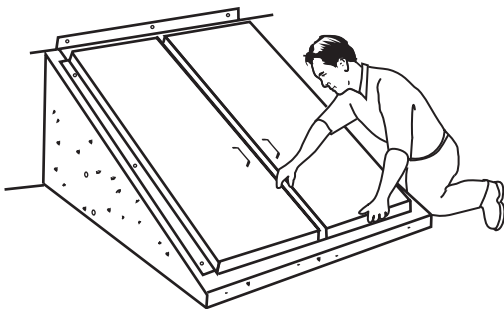
Align the door with the upper and lower pins, slide door bushing onto door pins.

STEP 4-INSTALL CATCH RODS



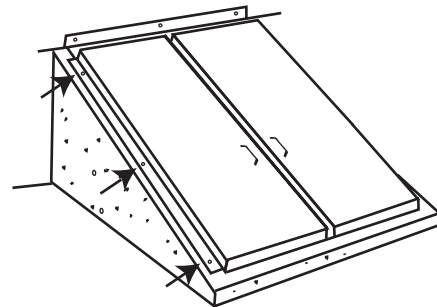
Install catch rods into catch slides. Adjust rods by bending them slightly—**Do not allow them to rub on the header.**

STEP 5-ALIGN AND ADJUST DOOR PANELS



Adjust frame and doors by moving them from side to side until you find the point at which the door will open and close without binding.

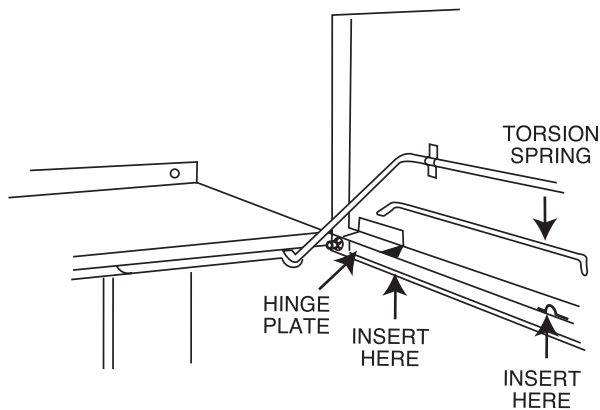
STEP 6-DRILL AND ATTACH FRAME



Using prepunched holes in side rails and sill as a guide, drill holes into the foundation 1 3/4" deep—using a 1/4" masonry bit. Install plastic rawl plugs and fasten with 1 1/2" screws until snug. Check door alignment again; over-tightening will cause misalignment.

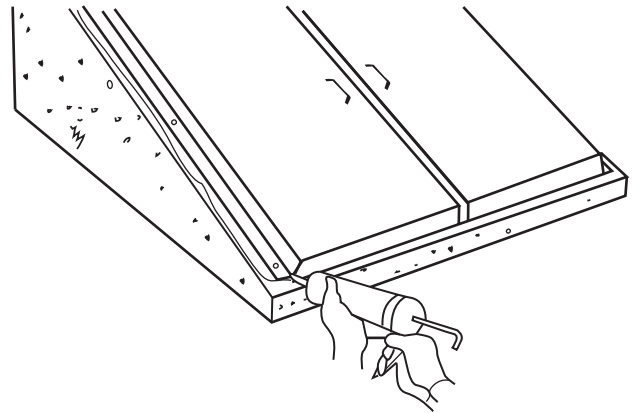
RD INSTALLATION (con't)

STEP 7—INSTALL TORSION SPRINGS



Insert torsion springs by sliding the spring **under** the hinge plate—point faces downward and inserts into spring clip. If new cement—allow to set before inserting springs.

STEP 8—CAULK FRAME

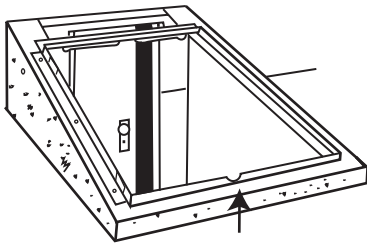


To avoid leakage, **caulk around frame and promptly paint** the door using alkyd based outdoor metal enamel paint.

NOTE: Do not cement over flanges.

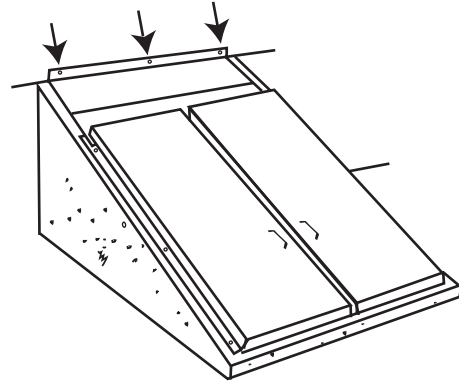
MODEL RD WITH EXTENSIONS

ASSEMBLE RD MODEL



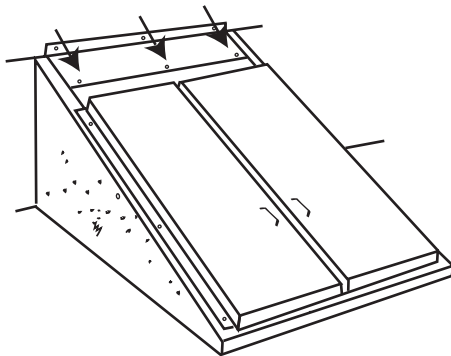
Assemble door by repeating Step 1, however **do not repeat** Step 2. Instead fasten frame at the sill—using the center hole. Leave space at top of frame for extension header which should overlap door frame.

ATTACH EXTENSION HEADER



Line the extension header up with the door frame fasten it to the house

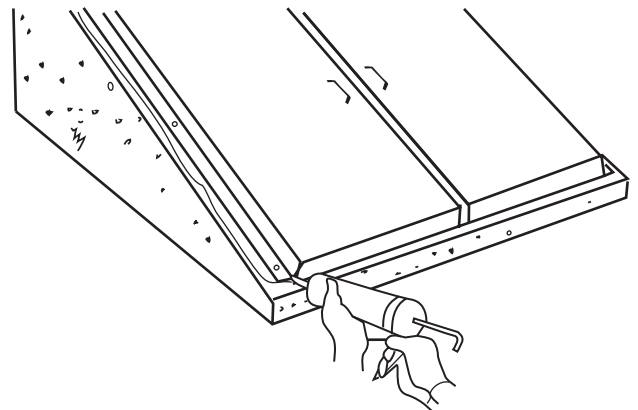
BOLT EXTENSION AND DOOR HEADER



Drill a 1/4" hole through the extension header and the door header. Bolt the two headers together with 1/4" nuts and bolts. The extension header should be fastened in three places.

NOTE: When using extension header, discard header angle that came with your door. 3-1/4" nuts and bolts required for attachment.

CAULK FRAME



To avoid leakage **Caulk around frame and promptly paint** the door using alkyd based outdoor enamel paint.

NOTE: Do not cement over flanges.